

Standalone AVR Chip Prep w/ Arduino Bootloader

AVR Chips on the arduino uno come loaded with a bootloader to run the usb communication & arduino stdlib. This is how to go from a blank chip to a flashed chip.

Chip Initial Prep

Pin connections:

```
16MHz Crystal across PB6/PB7
connect 22pF bipolar caps from the crystal to ground:
```

```

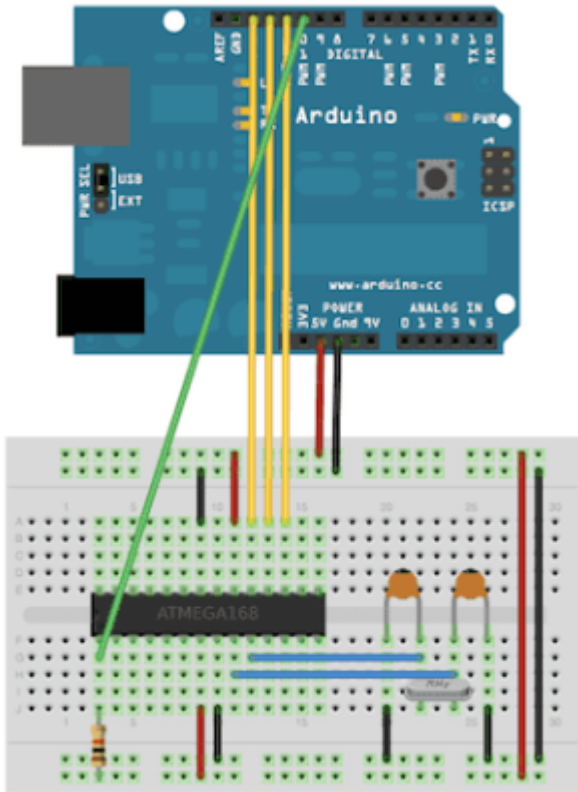
                                GND
PB6 -----|-----22pF--|
           |           |
           | Crystal   |
PB7 -----|-----22pF--|
```

```
Pin R10k pullup to +5V
AVCC connected to +5V
also might be useful to have pwr indicator LED
```

Arduino as ISP Setup & Burning

- Start by Loading File → Examples → 11.ArduinoISP → ArduinoISP
- Connect separate Arduino UNO board (hereafter called the programmer) to pc via usb.
- Upload the ISP sketch to the programmer.
- Install the [MiniCore library](#) and install the MiniCore boards
- Wire the following connections from the programmer:

```
10 -> MOSI (17)
11 -> MISO (18)
12 -> SCK (19)
13 -> RESET (1)
```



Arduino as ISP wiring diagram

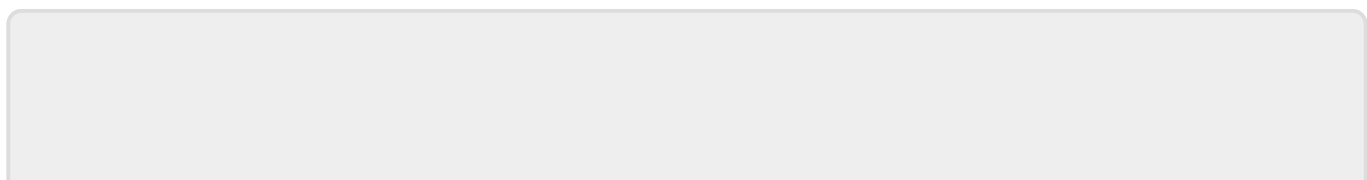
- Select the programmer method as Tools → Programmer → Arduino as ISP
- Select the Atmega328 in Tools → Board and make sure the variant based on the chip you have.
- Set the clock to 16MHz external (or whatever you are using).
- Burn the bootloader with Tools → Burn Bootloader

Programming with ISP

From the ISP dongle, make the connections to the chip

ISP Pin	Atmega Pin
VCC	VCC
GND	GND
MOSI	MOSI (18)
MISO	MISO (19)
SCK	SCK (20)
RST	RESET (1)

Then upload the code with Sketch → Upload using Programmer.



From:

<https://memex.kyaruc.moe/> - **kyaruc memex**

Permanent link:

<https://memex.kyaruc.moe/misc:avr-programming?rev=1773884775>

Last update: **2026-03-19 Thu 01:46**

